

Atlas Copco



EZB Handheld battery drive

One easy-to-use, plug-and-play solution
for industrial handheld applications.

Plug-and-play solution

Your design powered by Atlas Copco

The EZB is a plug and play battery drive that allows an easier and faster tool design process.

- Easier: The onboard software with 4 drive models are optimized for multiple application. Just select the most suitable.
- Faster: EZB allows you to focus on the application, while relying on us to drive it. This results in a shorter development time, and time-to-market.





IP54 Neoprene cover

EZB - Product features

- Standard LZB33 flange and out-put shaft allows for easy integration of existing air motor applications
- Two battery positions for easy access
- Advance Permanent magnet motor with integrated controller
- Ergonomic handle and trigger design for maximum comfort
- Software controlled progressive trigger provides operator control and safety
- Two gear options for high and low torque capacity

OLED display and 3 buttons
for navigation and selection





EZB - Product functionality

On the EZB handheld battery drive, you are able to select the suitable drive mode from the following four:



CONSTANT SPEED

The motor will aim to keep the speed constant, regardless of the load applied in applications like cutting.



CONSTANT POWER

The motor will aim to keep a constant power, for longer cycle times in applications like sawing.



EFFICIENCY

The most energy-efficient performance for longer battery life in applications like strapping.



ACCURACY

The most accurate torque result in applications like crimping or clinching.

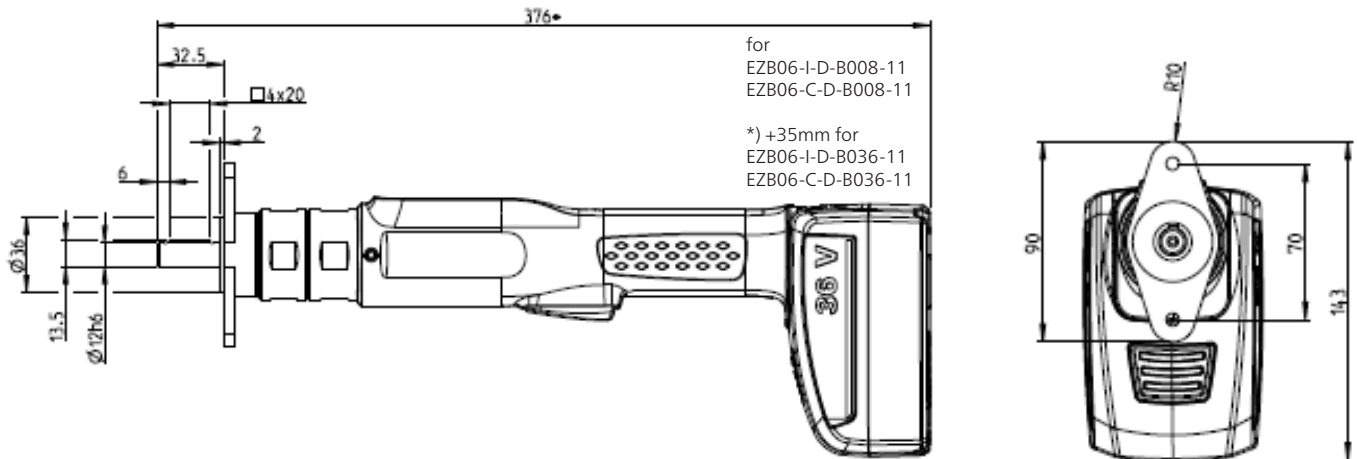
Technical data

Model	Ordering number	Torque range	Speed range	Programs	Software required
EZB06-I-D-B008-11	8412 1000 10	2-8 Nm	500-2600 rpm	1	no
EZB06-I-D-B036-11	8412 1000 20	8-36 Nm	100-550 rpm	1	no
EZB06-C-D-B008-11	8412 1000 12	2-8 Nm	500-2600 rpm	10	yes
EZB06-C-D-B036-11	8412 1000 22	8-36 Nm	100-550 rpm	10	yes

For flange and out-put shaft details, please refer to the drawings below.

Software	Ordering number	Accessories	Ordering number
TTS2 electronic delivery	8092 1714 10	Battery 36V	4211 5500 42
TTS2 physical delivery	8092 1714 11	Battery Multicharger	4211 5424 85
		Battery cover (IP54)	4430 2593 00

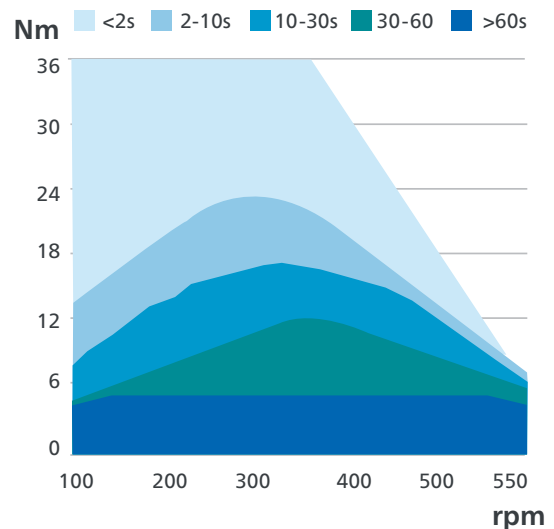
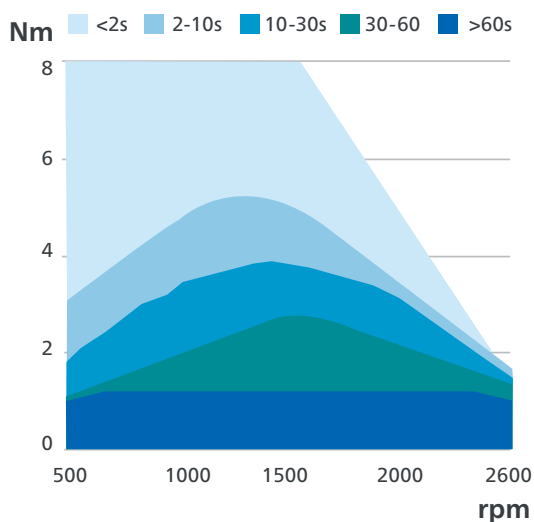
Drawings



Please note that batteries should be ordered separately and are not included in the ordering number.

Torque, Speed and Operation time

EZB DRIVELINE





Atlas Copco AB

(publ) SE-105 23 Stockholm, Sweden

Phone: +46 8 743 80 00

Reg. no: 556014-2720

atlascopco.com

